

ATHOS Box Easy Power

Automatic cable rewinding system with housing

Art.no. 5-155-006-01



GB Instruction manual

Introduction

Please read these operating instructions completely before use/installation, keep it in a safe place and pass them on to third parties if necessary.



Intended use

The unit is designed as an automatic cable rewind system in a housing with an extendable cable and plug. An earthing contact plug connects the unit to the mains supply and a WIELAND GST 18 socket can be used to supply appliances, furniture, etc. with power.

The ATHOS Box Easy Power is only approved for dry indoor areas. Any other use or modification of the unit is considered improper and involves a considerable risk of accident. The manufacturer accepts no liability for damage resulting from improper use.

Scope of delivery

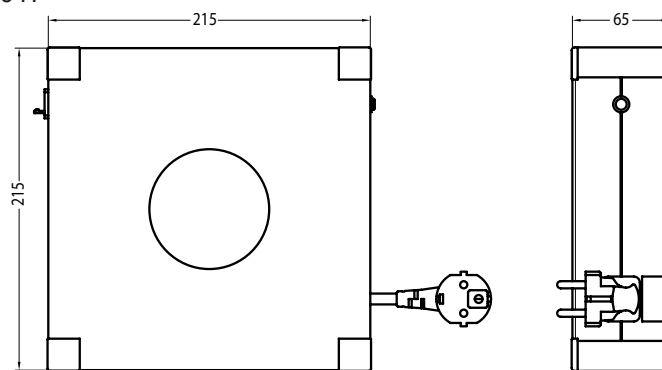
Immediately after unpacking, check that the scope of delivery is complete and that the unit is in perfect condition.

- 1x ATHOS Box Easy Power with cable management with automatic rewind.
- 4x aluminium rails incl. 8 black cover caps.

Optional accessories (see page 2 and illustrations on page 3) can be ordered separately.

Technical Data

- According to DIN EN 61242:1997+A1:2008+A2:2016+A13:2017 and certified according to 2014/35/EU Low Voltage Directive
- Operating voltage: 230 V / 50 Hz
- Overheating protection: Yes
- Protection class: 1
- Protection type: IP20
- Cable length: 7.0 metres usable
- Cable type: H05V2V2-F3G1.0
- Max. Load: Rolled up 1,000 watts / 4.4 A
Unrolled 2,000 watts / 8.7 A
- Overload protection: 10 A reset fuse
- 1x WIELAND socket GST 18



Assembly

- We recommend using the ATHOS Box Easy Power in a **vertical** orientation and positioning the cable inlet at the top (1). The cable inlet can only be at the bottom if it is installed near the floor (2).
- The ATHOS Box Easy Power has four aluminum rails on the corners of the housing. Mounting brackets, screws and slot stones (see Fig. "Fastening material" on page 3) are available as **optional accessories that are not included in the scope of delivery**.
- These are mounted on the aluminum rails on the housing. The mounting brackets can be flexibly rotated, adjusted and fixed with a screw using the slot stones inserted into the rail. **The black cover caps on the sides do not need to be removed for this.**
- You can then attach the rewriter to walls, appliances or furniture etc. in different ways (see sketches & pictures on page 3). For this, **please use separate, suitable fastening material** (such as dowels and special screws).



Function



- Connect an application to the WIELAND GST 18 socket (1) using an associated WIELAND GST 18 plug. A WIELAND GST 18 plug (2) with an approx. 2.0 m long cable and stripped wires with wire end sleeves (3) is **available as an accessory** (illustration on the right).
- Now insert the power plug into the wall socket for energy supply.
- The ATHOS Box Easy Power has cable management with automatic rewinding.
- The cable snaps into place every 150-300 mm (depending on the extension length). In this position the automatic retractor is locked and adjusted.
- In any case, stop pulling out when you see the length warning marking on the cable (yellow or black - if the cable is black, the marking is red) and lock the cable by snapping it into place.
- To roll up the cable, first pull the power plug. By pulling on the cable, you release the locking position and allow the cable to slowly roll up. **IMPORTANT: The pulling forces are very strong. Never let the cable roll up uncontrollably.** Hold the end of the cable and slowly guide it towards the ATHOS Box Easy Power.



Overheating / overload protection

- The rewinding system is equipped with **internal overload protection** that automatically protects the device from overheating and breaks the circuit if the load (temperature) is too high.
- It is then recommended to pull the plug of the rewinding system out of the wall socket. Please wait until the temperature in the housing has dropped before reconnecting the rewinder..
- To restore the working status, press the red reset button on the narrow side of the case.

Safety instructions

- All installation work must be carried out by a qualified specialist.
- If the mains/power supply is unclear, a residual current protection device must be installed upstream.
- If the ATHOS Box Easy Power is used in a mobile location, a regular DGUV test must be carried out.
- Due to the spring force and the live contacts inside, the cover must not be opened, otherwise serious injuries and electric shocks can occur.
- Please pay attention to the permissible load when the cable is unrolled and rolled up, as exceeding the maximum permissible power can result in a fire hazard. The maximum load capacity must not be exceeded:
 - 1,000W / 230V / 4.4A ~ Extendable cable is **not fully extended** 
 - 2,000W / 230V / 8.7A ~ Extendable cable is **fully extended** 

Maintenance / cleaning

Important: Make sure that the ATHOS Box Easy Power is voltage-free during cleaning. To do this, pull the protective contact plug out of the mains socket. The product is maintenance-free. A clean, dry cloth is sufficient to clean the outside. The ATHOS Box Easy Power should not come into contact with liquids of any kind.

Further and future ATHOS Box Easy models / types

The ATHOS Box Easy is also available as a compressed air hose version (ATHOS Box Easy **Air**, ABEA) or data cable retraction system (ATHOS Box Easy **Data**, ABED).

Optional accessories (to be ordered separately)

- 2 mounting brackets, 2 screws and 2 slot stones, stopper ball in black with 2 screws and 2 heat shrink tubing for adapting to thinner cables as an accessory pack!
- Separate WIELAND GST 18 plug with approx. 2.0 m cable (wire end ferrules) for connection to the application.

Illustrations, drawings

All illustrations, pictures and drawings are for illustrative purposes only and may differ slightly from the appearance of the original product.

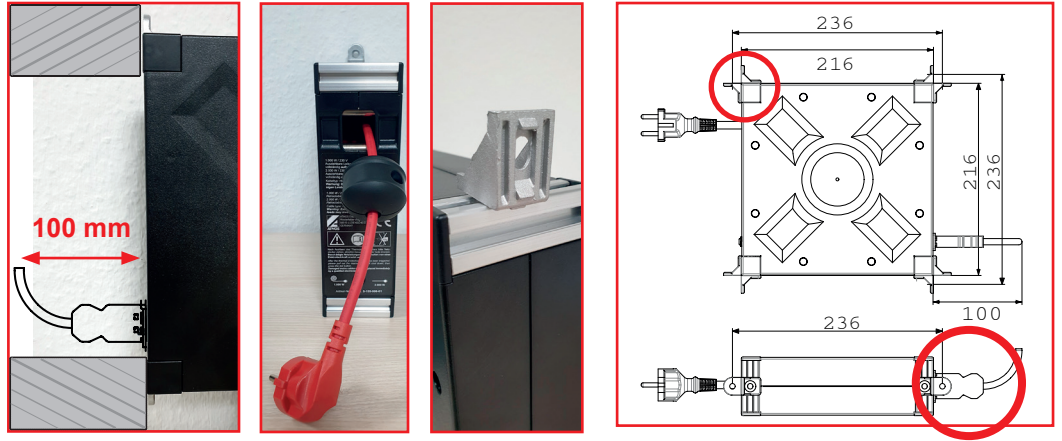
Dispose of electrical appliances in an environmentally friendly manner!

Electrical appliances do not belong in household waste! In accordance with European Directive 2012/19/EU on waste electrical and electronic equipment, used electrical appliances must be collected separately and recycled in an environmentally friendly manner. You can find out how to dispose of the used appliance from your local authority.

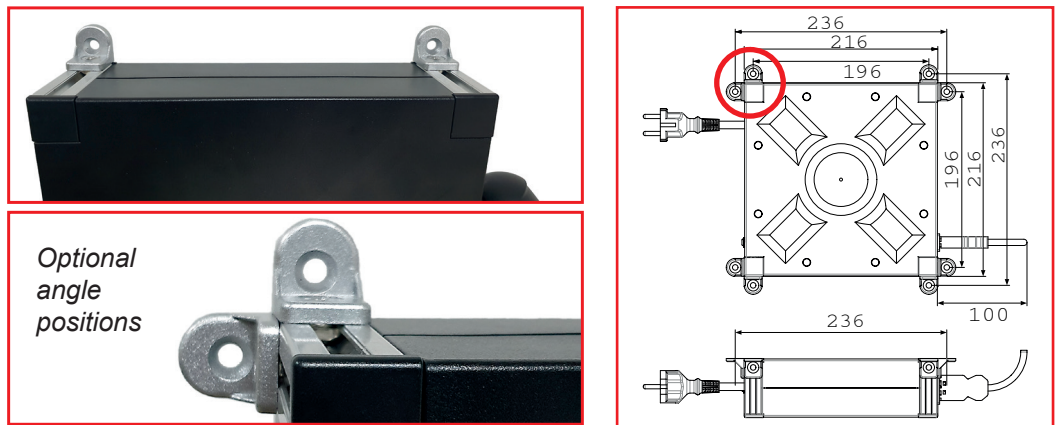
Further information on the installation and accessories of the ATHOS Box Easy can be found on the next page!

Attachment and accessories

Mounting with spacers via the narrow side

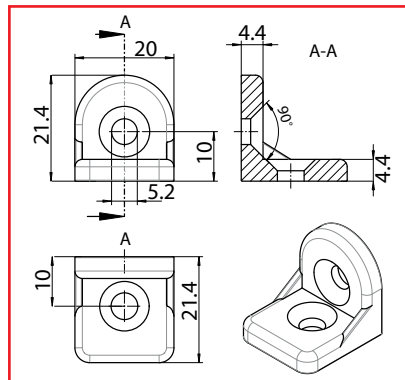
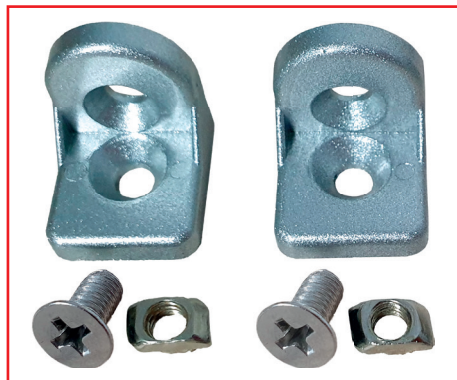


Mounting via the wide side



ACCESSORIES (optional)

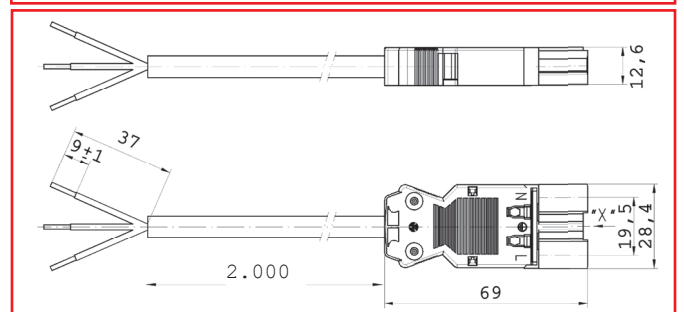
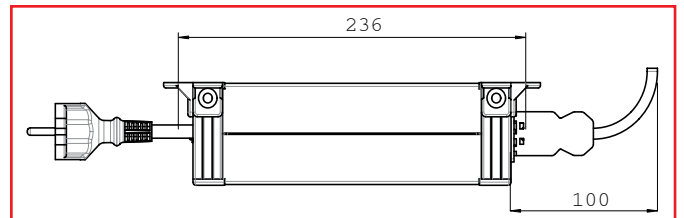
Fastening: 2 brackets, 2 Phillips screws and 2 M5 slot stones



Stopper ball with shrink tubing for adaptation to thinner cables



WIELAND GST 18 plug with 2.0 m cable



Please note that the Wieland GST 18 plug including cable requires approx. 100 mm of space and you must allow for this distance, e.g. from a wall, to ensure proper connection.