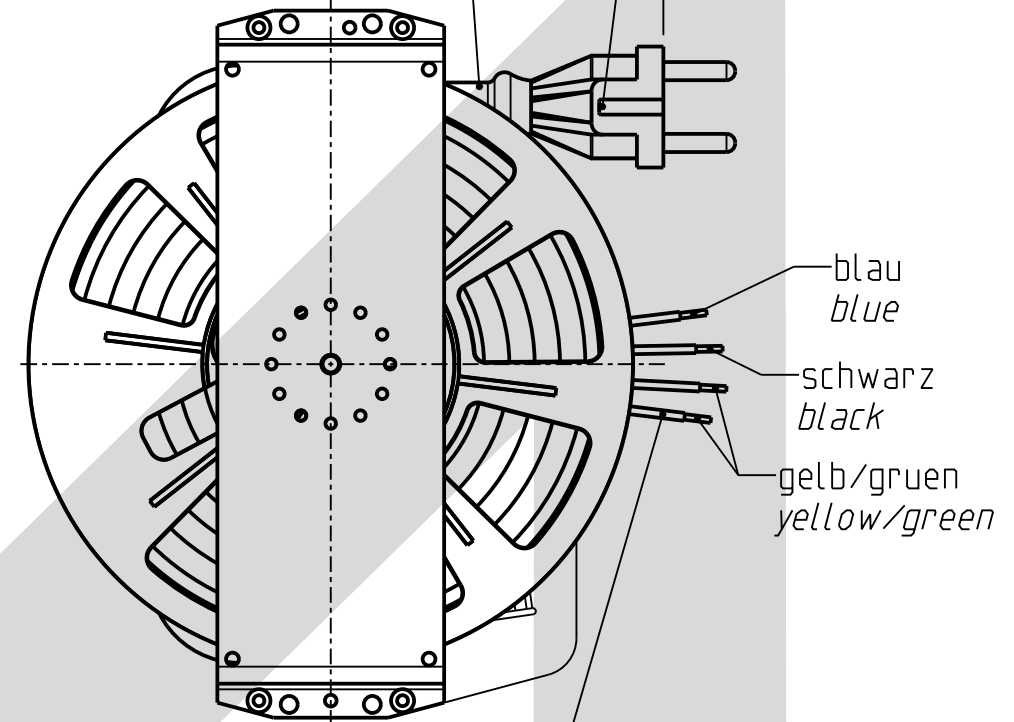


Kabel/Cable: H05V2V2-F3G1,5
Black/schwarz

Schuko-Stecker Typ F fuer EU,
Safety plug Type F for EU,
IEC EN 60884-1
16A, 250V

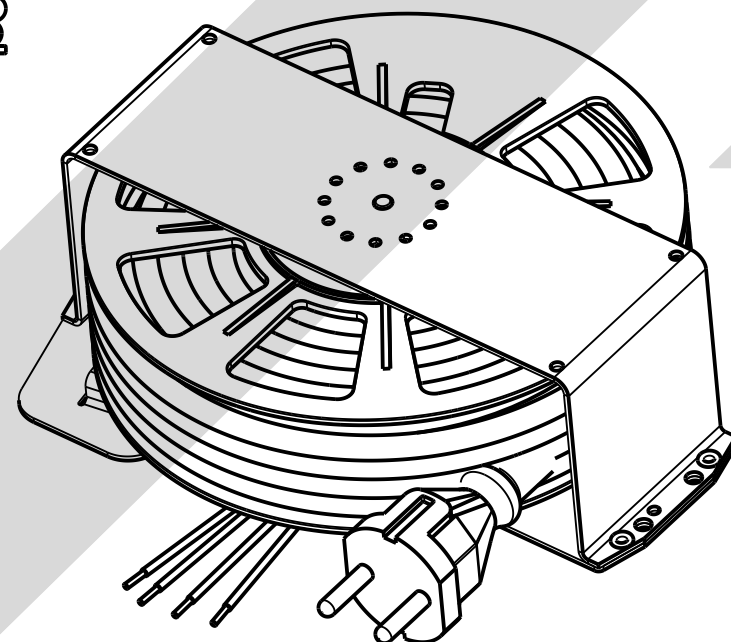
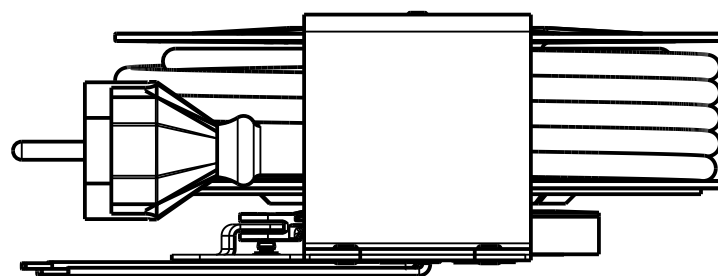
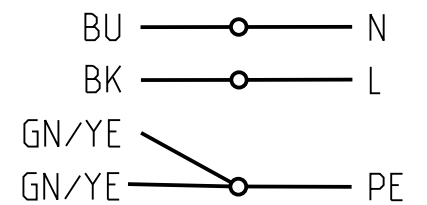
Nutzbare Laenge 6000mm (6.0m)
Usable length



Litzen FEP-1,5 mit
Aderendhuelse
wire FEP-1,5 with
cable end splice



Anschlussvorschrift
connection regulations



1.0		Freigabe		15.12.21		F.W.	
No.	Area	Changing		Changing Notification No.	Date	Name	
Surface Treatment		General Tolerance		Surface DIN ISO	Scale 1:2	Mass	
Material/Semifinished Part		Part Name		Kabelaufroller K81-160-3 Cable Rewinder 3pol mit Rastbremse / 3pol with catch brake			
Transfer and duplication of this document, reutilization and notification of its content is not permitted, if not explicitly granted. Violations will be liable to indemnification. All rights reserved in case of grant of a patent or utility model registration.		2021	Date	Name	Drawing/Part-No.:		
Creator	14.12.	F.W.		106789		Sht. 1	
Checked	15.12.	G.G.				of 1	
Techn.				Repl. for		Rplcd. by	
Norm							

